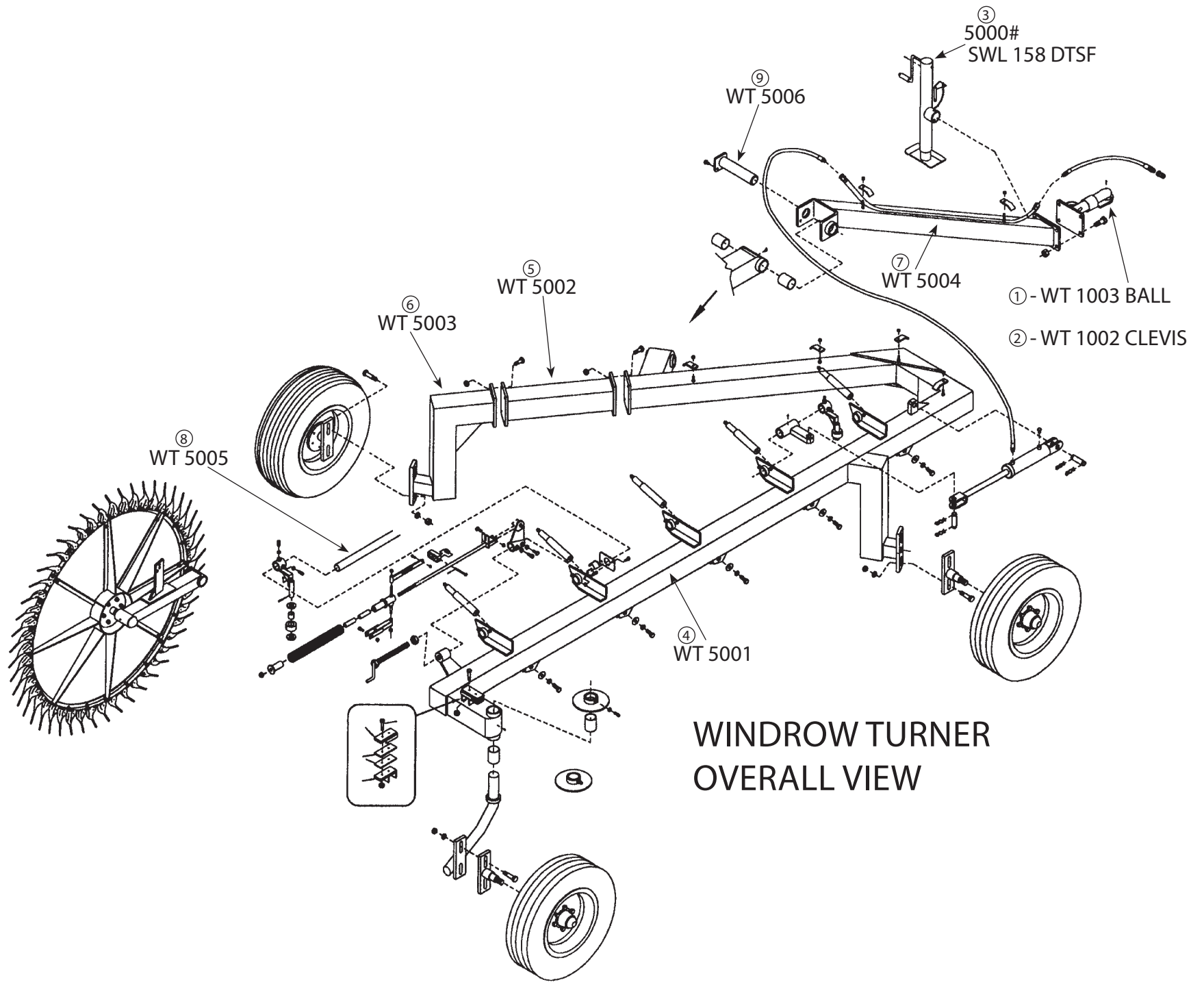


SECTION F: PARTS LIST

Introduction

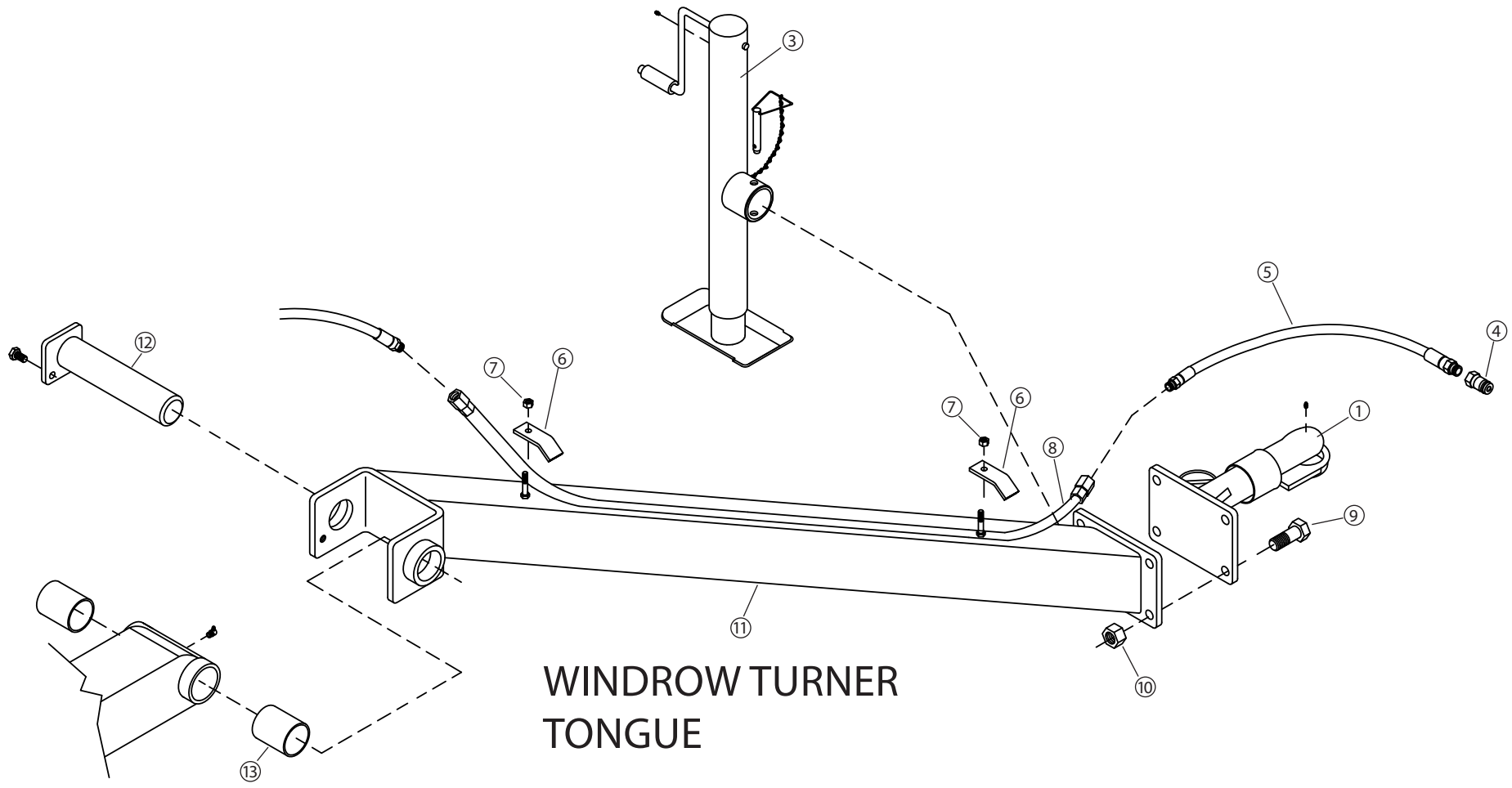
This section lists the parts for the Windrow Turner. It gives the order number, description, and quantity needed.



Windrow Turner PARTS LIST

TONGUE

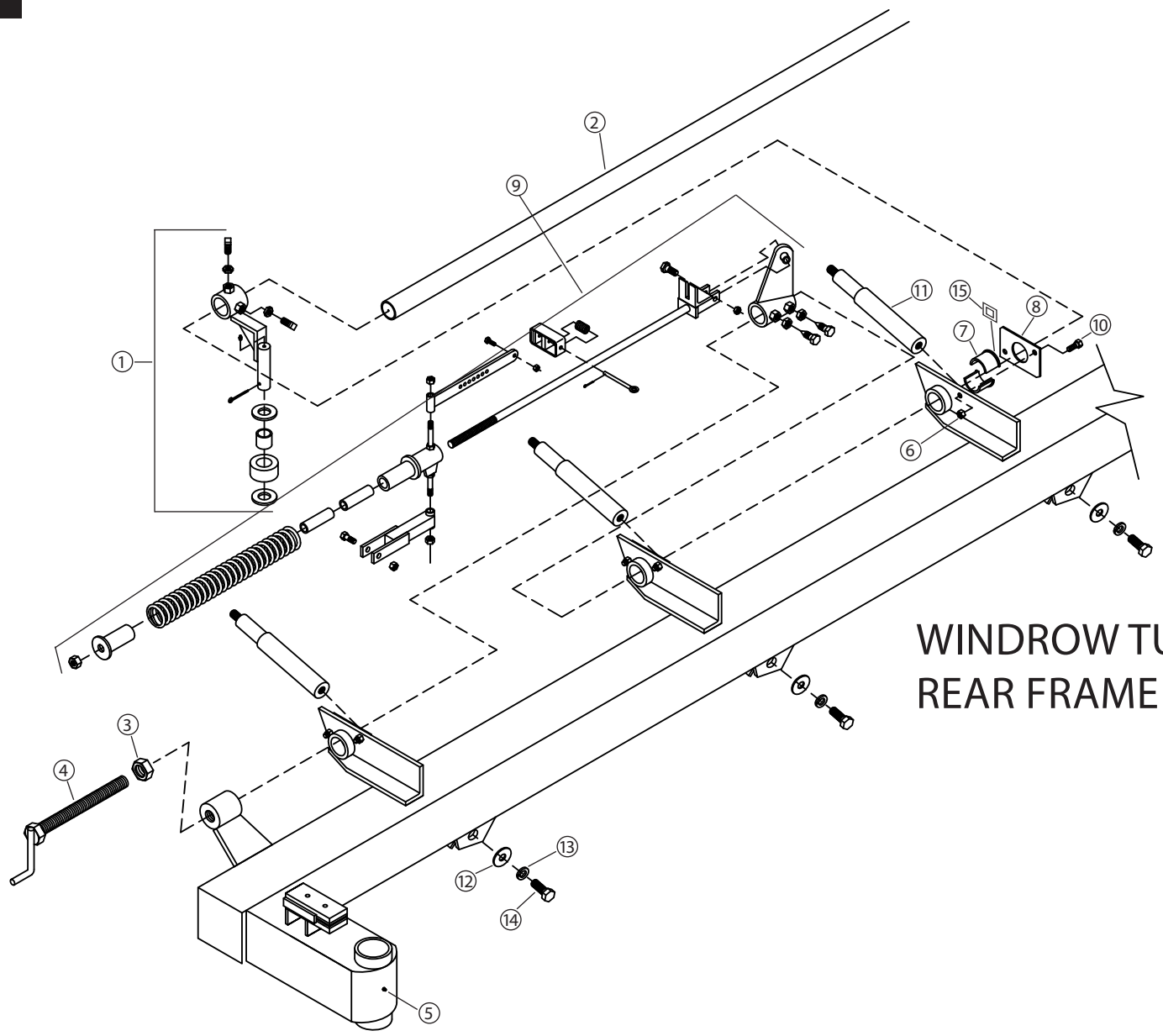
| Ref. | Part No. | Description | Qty. |
|------|------------|--------------------------|------|
| 1 | WT1002 | Clevis Hitch (not shown) | 1 |
| 2 | WT1003 | Ball Hitch | 1 |
| 3 | SWL158DTSF | Jack | 1 |
| 4 | WT5001 | Main Frame | 1 |
| 5 | WT5002 | Front Frame Extension | 1 |
| 6 | WT5003 | Left, Front Wheel Mount | 1 |
| 7 | WT5004 | Tongue | 1 |
| 8 | WT5005 | Lift Tube | 1 |
| 9 | WT5006 | Pin, Tongue Mount | 1 |



WINDROW TURNER
TONGUE

Windrow Turner PARTS LIST TONGUE ASSEMBLY

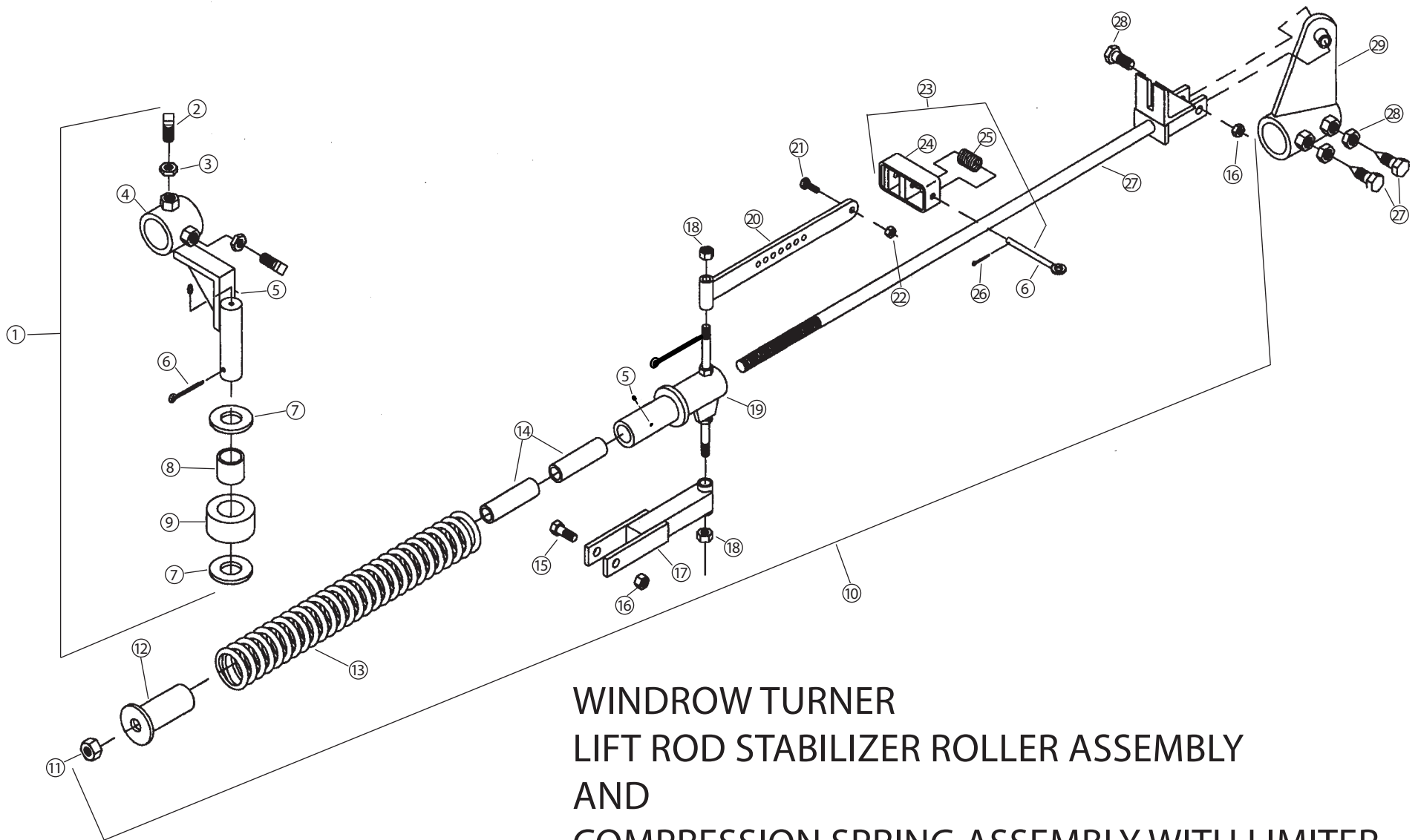
| Ref. | Part No. | Description | Qty. |
|------|---------------|---|------|
| 1 | WT1003 | Ball Hitch, 2" | 1 |
| 2 | WT1002 | Clevis Hitch (not shown) | 1 |
| 3 | SWL158DTSF | Jack Assembly, 5000 Lb. | 1 |
| 4 | 8010-4 | Pioneer Male Tip, 1/2" "Poppet" | 1 |
| 5 | 844905060-BX | Hydraulic Hose, 1/2" x 60" 2-Wire | 1 |
| 6 | RM-2247 | Clamp, Hose 1/4" x 1" x 3" | 2 |
| 7 | 37CNNE0Z/NE | Nut, 3/8"-16 Lock | 2 |
| 8 | WT20101 | Hydraulic Tube, Tongue 5/8" x 60" with Hydraulic Fittings | 1 |
| 9 | 62C200HCS5Z | Bolt, HHC 5/8" x 2" (Gr 5) | 4 |
| 10 | 62CNNE0Z/NE | Nut, 5/8" Lock, Nylon Insert | 4 |
| 11 | WT5004 | Tongue | 1 |
| 12 | WT5006 | Pin, Tongue Mount | 1 |
| 13 | PSW-2202-64BX | Bushing, 2 1/2" x 2 1/4" x 3", Bronze | 2 |



WINDROW TURNER
REAR FRAME

Windrow Turner PARTS LIST MAIN FRAME ASSEMBLY

| Ref. | Part No. | Description | Qty. |
|------|-------------|---|------|
| 1 | WR5208 RMT | Stabilizer, Lift Rod Roller Assembly | 1 |
| 2 | WT5005 | 138" Lift Rod | 1 |
| 3 | 100CNFJ0Z | Nut, 1" - 8, Hex Jam | 1 |
| 4 | ULT4165 | Lift Rod End Adjuster | 1 |
| 5 | 107-100 | Zerk, 1/4"-28 St Lub | 1 |
| 6 | 37CNNE0Z/NE | Nut, 3/8"-16 Lock | 1 |
| 7 | WR78060 | Bushing, Lift Rod | 1 |
| 8 | WR1507 RMT | Rod Guide Retainer Plate | 1 |
| 9 | WR4925 RMT | Compression Spring Assembly | 1 |
| 10 | 37C125HCS5Z | Bolt, 3/8" - 16" x 1 1/4" G5 | 2 |
| 11 | WR150130 | Spindle, 1 1/2" x 11 1/2" RMT, Tapped | 5 |
| 12 | 62NUSS0Z | Washer, 5/8" U55 Flat | 5 |
| 13 | 62NLOC0Z | Washer, 5/8" Lock 5 pt | 5 |
| 14 | 62C200HCS5Z | Bolt, 5/8" - 11 - 2" Grd 5 | 5 |
| 15 | ULT3013 | Spacer, Lift Rod Retainer RMT | 1 |
| 16 | WR4625 | Poly Dampener, 1/4" x 5" x 2", Set of 2 | 1 |
| 17 | WR4626 | Top Plate, Dampener | 1 |
| 18 | 37C225HCS5Z | Bolt, 3/8"-16 x 2-1/4" G5 | 1 |
| 19 | 37CNNE0Z/NE | Nut, 3/8"-16 Lock | 1 |
| 20 | WR1030 | Dampener, Wheel Lock w/ poly assembly | 1 |

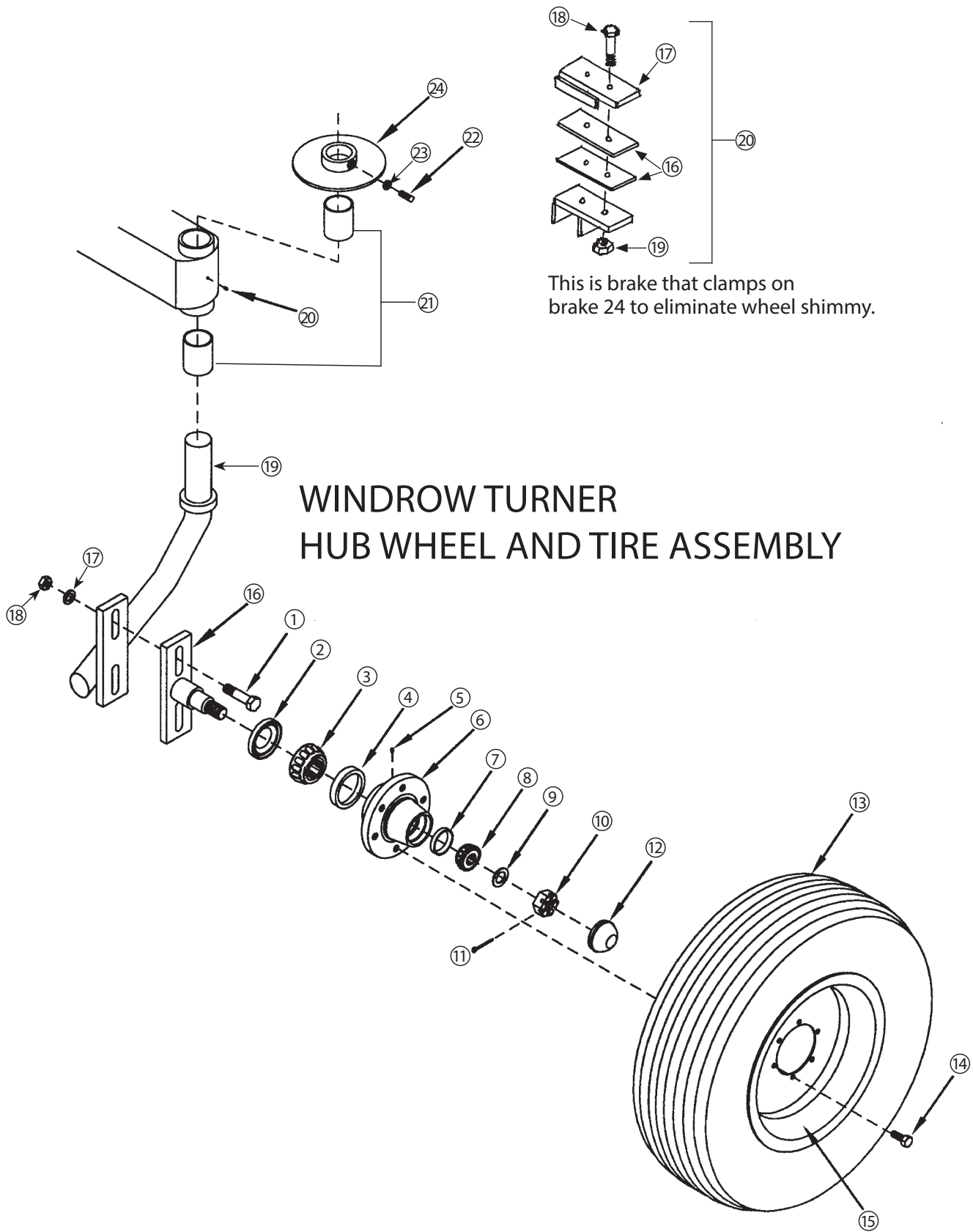


WINDROW TURNER
LIFT ROD STABILIZER ROLLER ASSEMBLY
AND
COMPRESSION SPRING ASSEMBLY WITH LIMITER

Windrow Turner PARTS LIST

LIFT ROD STABILIZER ROLLER ASSEMBLY AND COMPRESSION SPRING ASSEMBLY WITH LIMITER

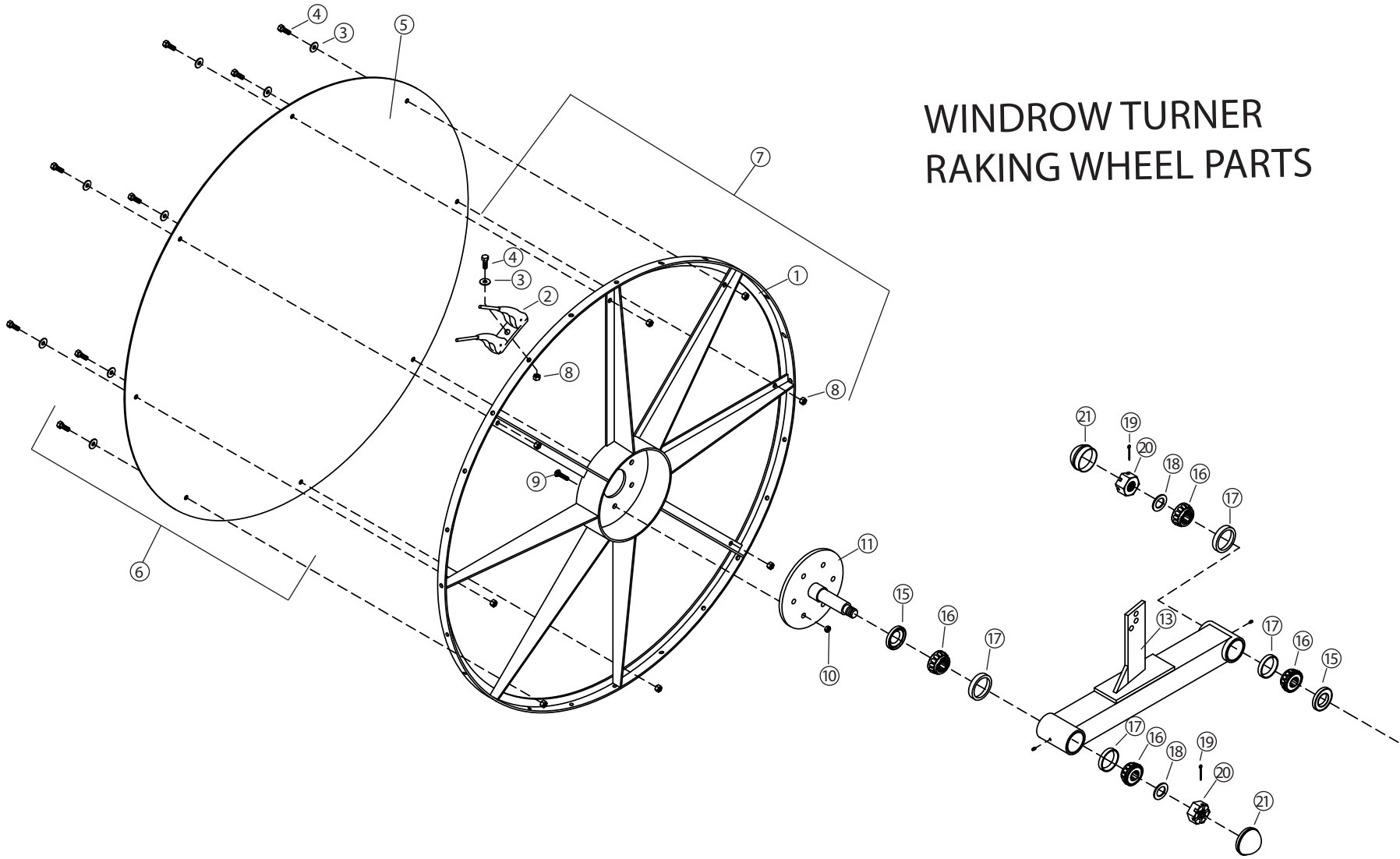
| Ref. | Part No. | Description | Qty. |
|------|----------------|---|------|
| 1 | WR5208 RMT | Stabilizer, Lift Rod Roller Assembly | 1 |
| 2 | 50C125KSQT/CNP | Set Screw, 1/2"-13 x 1-1/4" SQ-HD Cone Pt. | 4 |
| 3 | 50CNFJOZ | Nut, 1/2"-13 Hex Jam | 4 |
| 4 | WR52081 RMT | Stabilizer, Bracket, Lift Rod Roller | 4 |
| 5 | 107-100 | Zerk, 1/4"-28 St Lub | 1 |
| 6 | WR49241 RMT | Pin, Stroke Limiter | 2 |
| 7 | 100NUSS0Z | Washer, 1" flat | 2 |
| 8 | PSW-1001-64 | Bushing, 1" x 1-1/4" x 1", Bronze | 1 |
| 9 | R3S-309 | Roller, with 1" x 1" Bronze Bushing | 1 |
| 10 | WR4925 RMT | Compression Spring Assembly | 1 |
| 11 | 62CNNE0Z/NE | Nut, 5/8"-11 Lock | 1 |
| 12 | WR4930 | Spring Stop, Compression Lift | 1 |
| 13 | OG-5971 | Spring, Lift (.25" x 1.5" x 16") | 1 |
| 14 | WR78058 | Bushing, 5/8" x 7/8" x 1-1/2" nylon | 2 |
| 15 | 37C200HCS5Z | Bolt, 3/8"-16 x 2" HHC G5 | 1 |
| 16 | 37CNNE0Z/NE | Nut, 3/8"-16 Lock | 1 |
| 17 | WR4929 | Tube & Clevis, Lift Compression Spring | 1 |
| 18 | 43CNNE0Z/NE | Nut, 7/16"-14 Lock | 2 |
| 19 | WR4927 RMT | Boxing, Lift Compression Spring | 1 |
| 20 | WR4923 RMT | Bar, Stroke Limiter | 1 |
| 21 | 25C75HCS5Z | Bolt, 1/4"-20 x 3/4" HHC G5 | 1 |
| 22 | 25CKEP0Z | Nut, 1/4"-20 Hex with External Tooth Washer | 1 |
| 23 | WR4924 RMT | Stop Assembly, Stroke Limiter | 1 |
| 24 | WR49242 RMT | Stop Bracket Only, Stroke Limiter | 1 |
| 25 | OG-5145 | Spring, Pin Lock | 1 |
| 26 | 9R75PCO0D | Cotter Key, 3/32" x 3/4" | 1 |
| 27 | WR4920 RMT | Rod & Clevis | 1 |
| 28 | 37C250HCS5Z | Bolt, 3/8"-16 x 2-1/2" HHC G5 | 1 |
| 29 | WR4878 RMT | Holder, Compression Spring, Right | 1 |
| | WR4879 RMT | Holder, Compression Spring, Left | 1 |



Windrow Turner PARTS LIST HUB, WHEEL AND TIRE ASSEMBLY

| Ref. | Part No. | Description | Qty. |
|------|----------------|--|--------------------|
| 1 | 75C300HCS5Z | Bolt, 3/4" x 3" HHC Grd 5 | Per Raking Wheel 2 |
| 2 | CR16289 | Seal, 888 hub | 1 |
| 3 | JL69349 | Cone, Inner, 888 hub | 1 |
| 4 | JL69310 | Cup, Inner, 888 hub | 1 |
| 5 | 107-100 | Zerk, 1/4" - 28 St Lub | 1 |
| 6 | W 888 | Hub Only, 6 bolt | 1 |
| 7 | LM67010 | Cup, Outer, 888 hub | 1 |
| 8 | LM67048 | Cone, Outer, 888 hub | 1 |
| 9 | 9136831 | Washer, 888 hub | 1 |
| 10 | 87FNST0Z | Nut, slotted 888 hub | 1 |
| 11 | 15R125PCO0Z | Cotter Key, 5/32" x 1-1/4" | 1 |
| 12 | 909905 | Cap, Dust, 888 hub | 1 |
| 13 | 845502225 | Tire, ST225/75R15, 4 ply Radial | 1 |
| 14 | 0613945 | Bolt, 1/2" x 1-1/4" lug, 888 hub | 6 |
| 15 | 0411141 | Rim, 15 x 6 x 6 bolt | 1 |
| 16 | 12420187 | Spindle & Plate, 2" x 7" W888, 6 bolt | 1 |
| 17 | 75NLOC0Z | Washer, 3/4" lock SPT | 2 |
| 18 | 75CNFH5Z | Nut, 3/4" - 10 G5 | 2 |
| 19 | 14344451 | Axle, Castor | 1 |
| 20 | 107-100 | Zerk, 1/4" - 28 St Lub | 1 |
| 21 | PSW-2202-64BX | Bushing, 2-1/2" x 2-1/4" x 3", Bronze | 2 |
| 22 | 50C125KSQT/CNP | Set Screw, 1/2" - 13 x 1-1/4" SQ-HD Cone Pt. | 1 |
| 23 | 50CNFJ0Z | Nut, 1/2"-13 Hex Jam | 1 |
| 24 | WR6053 | Brake, Disc with bolt & nut, Axle Wheel, 8" | 1 |

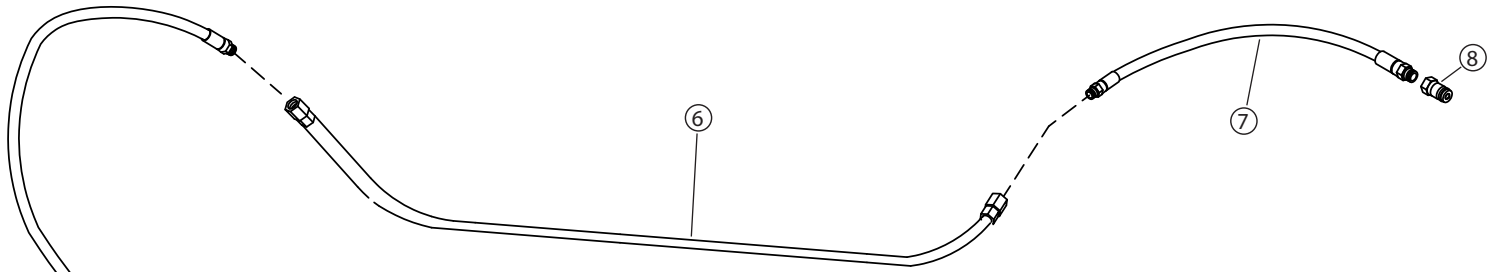
WINDROW TURNER RAKING WHEEL PARTS



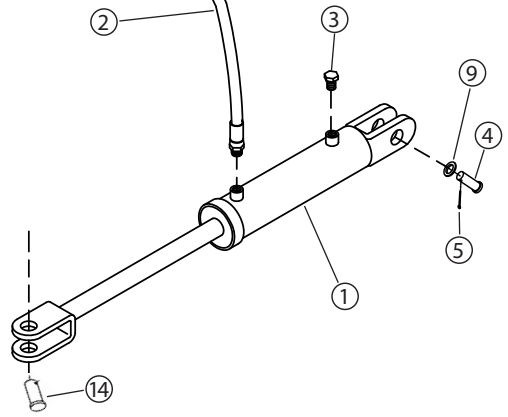
Windrow Turner PARTS LIST

RAKING WHEEL & RAKING ARM ASSEMBLY

| Ref. | Part No. | Description | Qty. Per Wheel Assembly |
|------|-------------|---|-------------------------|
| 1 | WR5900 | Wheel, Bare, 19 Tooth | 1 |
| | WR7900 | Wheel, Bare, 24 Tooth | 1 |
| 2 | WR5901 | Tooth, Double, 19 Tooth | 19 |
| | WR5904 | Tooth, Double, 24 Tooth | 24 |
| 3 | 37NUSS0Z | Washer, 3/8" Flat | 8 |
| 4 | 37C100HCS5Z | Bolt, 3/8"-16 x 1" HHC G5 | 27 |
| 5 | WR5905 | Poly Plate | 1 |
| 6 | WR6023 | Poly Kit w/Fasteners | |
| 7 | WR6051L | Wheel Assembly, LEFT | 1 |
| | WR6051R | Wheel Assembly, RIGHT | 1 |
| | WR7051L | 24 Tooth Wheel Assembly, LEFT | 1 |
| | WR7051R | 24 Tooth Wheel Assembly, RIGHT | 1 |
| 8 | 37CNNE0Z/NE | Nut, 3/8" Lock | 27 |
| 9 | 43C125HCS5Z | Bolt, 7/16"-14 x 1-1/4" HHC G5 | 6 |
| 10 | 43CNNE0Z/NE | Nut, 7/16"-14 Lock | 6 |
| 11 | WR6022 | Spindle and Plate | 1 |
| 12 | | | |
| 13 | WR4928RMT | Arm with Boxings, Lift Compression Spring | 1 |
| 14 | WR150130 | Spindle, 1-1/2" x 11-1/2" - Tapped | 1 |
| 15 | 15234VB | Seal, Rake Wheel | 2 |
| 16 | LM67048 | Cone, Tapered Roller Bearing | 4 |
| 17 | LM67010 | Cup, Tapered Roller | 4 |
| 18 | 9136831 | Washer, W888 | 2 |
| 19 | 15R125PCO0Z | Cotter Key, 5/32" x 1-1/4" | 2 |
| 20 | 9129521 | Nut, Slotted | 2 |
| 21 | 001601 | Cap, Grease | 2 |



WINDROW TURNER HYDRAULIC



Windrow Turner PARTS LIST HYDRAULICS

| Ref. | Part No. | Description | Qty. Per Wheel Assembly |
|------|-----------------|--|-------------------------|
| 1 | HD208 | Cylinder, 2" x 8" | 1 |
| 2 | 844905108-BX | Hydraulic Hose, 1/2" x 108" 2-wire | 1 |
| 3 | PM-BHF-3 | Cap, Vent, 1/2" Cylinder Breather | 1 |
| 4 | WR1027 | Pin, 1" x 2-3/8" Headed | 1 |
| 5 | 18R200PC00Z | Cotter Key, 3/16" x 2" | 1 |
| 6 | WT20101 | Hydraulic Tube, Tongue, 5/8" x 60" with Hydraulic Fittings | 1 |
| 7 | 844905060-BX | Hydraulic Hose, 1/2" x 60", 2 wire | 1 |
| 8 | 8010-4 | Pioneer Male Tip, 1/2 Poppet | 1 |
| 9 | 100N150AMB0/10G | Washer, 1 x 1 1/2 x 10 Ga | AR |
| | 100N150AMB0/14G | Washer, 1 x 1 1/2 x 14 Ga | AR |

AR=As Required

LIFT CYLINDER

| Item | Part Number | No. Req. | Description |
|------|-------------|----------|----------------------------|
| 1 | HD2C | 1 | Clevis |
| 2 | HD2S | 1 | Shaft |
| 3 | HD2K | 1 | Collar |
| 4 | HD2D | 1 | Dust Seal |
| 5 | HD2W | 1 | Leather |
| 6 | HD2E1 | 1 | O-Ring |
| 7 | HD2H | 1 | Head |
| 8 | HD2L | 3 | Backups |
| 9 | HD2O | 2 | O-Rings |
| 10 | HD2P | 1 | Piston |
| 11 | HD2E | 1 | O-Ring |
| 12 | HD2N | 1 | Nut |
| 13 | HD2B | 1 | Barrel with Clevis & Ports |

| Item | Part Number | No. Req. | Description |
|-------------------|-------------|----------|---|
| 14 | WR1027 | 2 | Pin, 1" x 2.3", Headed |
| 15 | 18R200PCO0Z | 4 | Cotter Key, 3/16" x 2" |
| Assemblies | | | |
| | HD208 | 1 | Hydraulic Cylinder, 2" Bore x 8" Stroke (Items 1 thru 13) |
| | HD2RK | 1 | Cylinder Repair Kit, 2" (Items 4, 5, 6, 8, 9, 11) NOTE: These items are available only in this kit. They are not available individually. |

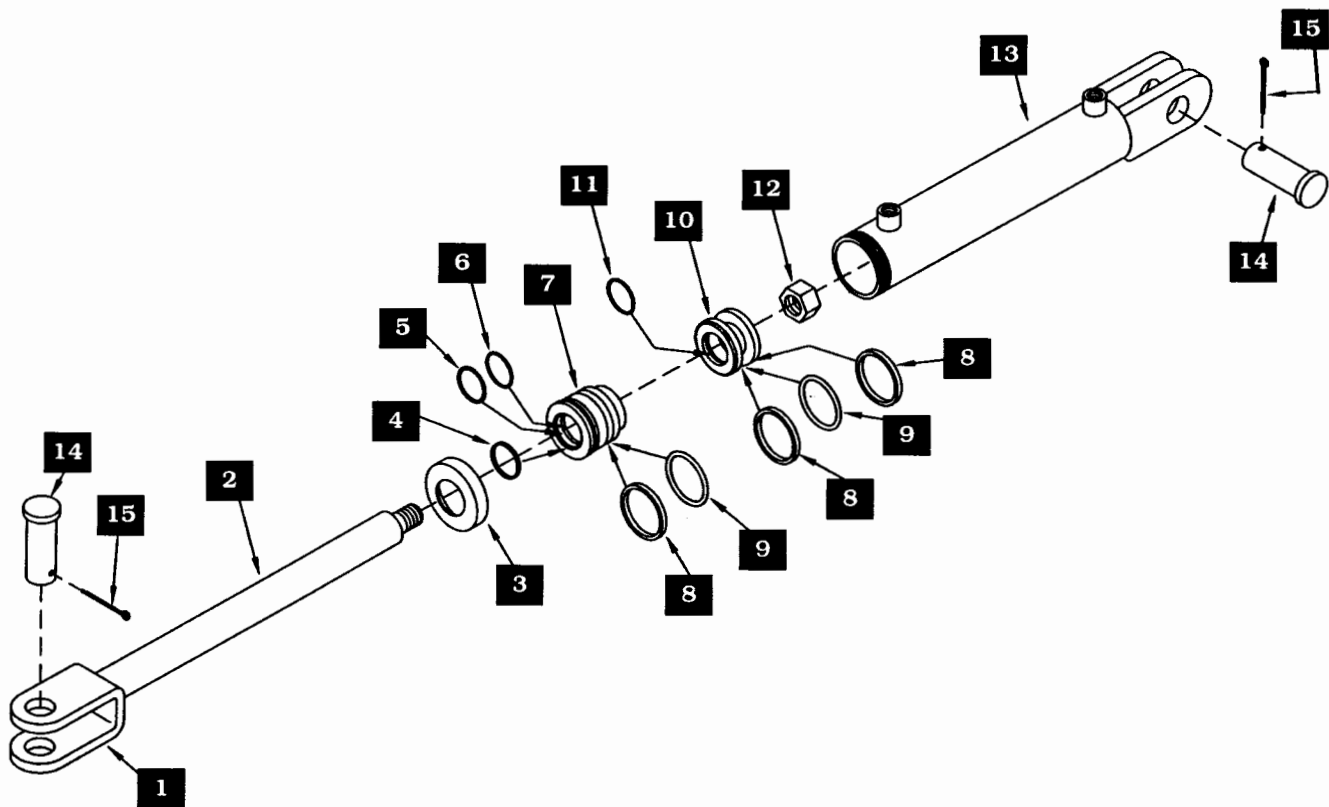


Figure G-19: Lift Cylinder Parts: 2" Bore x 8" Stroke, Part Number HD208.